

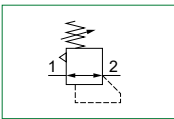
Regulators (R - RM - RW - RP - RZ)



AIR TREATMENT



- ▶ Diaphragm pressure regulator with relieving
- ▶ Available in 4 sizes with flow rates up to 8000 NI/min and connections from 1/8" to 1"
- ▶ Low hysteresis rolling diaphragm and balanced spool
- ▶ Available in four pressure ranges up to 12 bar
- ▶ Fitted with panel mounting locking ring
- ▶ Available with pressure gauge or digital pressure switch integrated
- ▶ Atex certification (II 2GD or II 3GD)
- ▶ Inlet pressures up to 20 bar



Note

For installations where a more accurate and constant pressure is required, the unit should be installed as close as possible to the point of use.

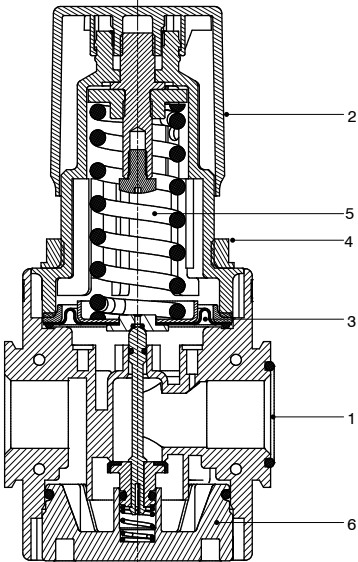
Technical characteristics		Size	Size 1	Size 2	Size 3	Size 4
Body and connections type		Technopolymer body, integrated technopolymer connections (T version) Technopolymer body, metal connections (N version)				/
		/		Aluminium body, integrated aluminium connections (P - L versions)		/
IN / OUT connections	T version	G1/4"		G3/8"		G1/2"
	N version	G1/8" - G1/4" - 1/4" NPT		G3/8" - G1/4" - 3/8" NPT		G3/8" - G1/2" - 1/2" NPT
	P and L version	not available		G3/8" - 1/4" NPT		G1/2" - 1/2" NPT
Assembly configuration		Stand alone Panel mounting With fixing bracket /				Panel mounted
Assembly positions		Indifferent				
Pressure range		0-2 bar 0-4 bar 0-8 bar 0-12 bar (P2 max 10 Bar in case of digital pressure switch selection)				
Regulation		Manul push and lock with pressure Manual lockable with accessories				
Pressure measurement		G1/8" - 1/8" NPT pressure gauge connection port (only for versions with IN / OUT NPT connections) Integrated pressure gauge (optional) Digital pressure switch (optional)				
Max. fittings torque IN / OUT connections		G1/8" metal: 15Nm G1/4" metal: 20Nm G1/4" technopolymer: 9Nm		G1/4" metal: 20Nm G3/8" metal: 25Nm G3/8" technopolymer: 16Nm		G1"metal: 35Nm
Max.fitting torque pressure gauge connection port		G1/8" technopolymer: 4Nm G1/8" metal: 15Nm				

Operational characteristics		Size	Size 1	Size 2	Size 3	Size 4
Maximum working pressure		13 bar		20 bar (only for P - L versions)		
Minimum working pressure		0,5 bar				
Working temperature		-5°C +50°C		-30°C +80°C (only for P version) -40°C +80°C (only for L version)		
Working temperature with digital pressure switch		0°C +50°C				

Weights					
	Size	Size 1	Size 2	Size 3	Size 4
Technopolymer body version		150 g	310 g	390 g	/
Aluminium body version		/	400 g	560 g	1260 g

Materials

Exploded sectioned

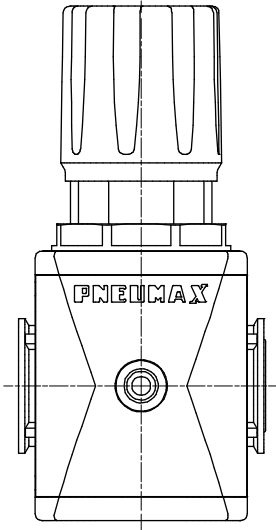


Regulator		
1	Body	Polyamide Die-cast aluminium
2	Adjusting knob	Polyamide
3	Diaphragm	NBR
4	Panel mounting locking ring	Polyamide
5	Adjusting spring	Steel
6	Rear end cap	Polyamide / Die-cast aluminium

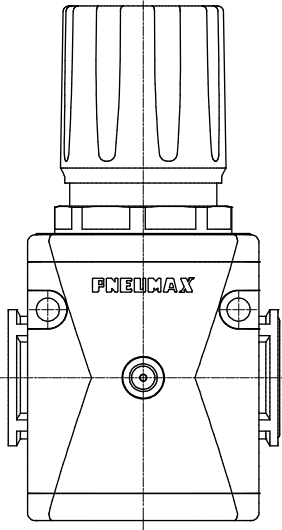
AIR TREATMENT

Design

Size 1 - Size 2 - Size 3



Size 4
All versions





Order codes

AIR TREATMENT

T 17 3B R M D [] [] []

Version
N : Technopolymer body and metal inserts (not available for size 4)
T : Technopolymer body and thread (not available for size 4)
P : Aluminum body (not available for size 1)
L : Aluminum body, low temperature (not available for size 1)

Size and connections
1A : Size 1 - G1/8" only for N version
1B : Size 1 - G1/4" only for T - N versions
1C : Size 1 - 1/4" NPT only for N version
2A : Size 2 - G1/4" only for N version
2B : Size 2 - G3/8" for all versions
2C : Size 2 - 3/8" NPT only for N version - 1/4" NPT only for P - L versions
3A : Size 3 - G3/8" only for N version
3B : Size 3 - G1/2" for all versions
3C : Size 3 - 1/2" NPT only for N - P - L versions
4B : Size 4 - G1" only for P - L versions
4C : Size 4 - 1" NPT only for P - L versions

Pressure measurement options
: G1/8" - 1/8" NPT thread
M : Integrated pressure gauge
W : Integrated pressure gauge Right - Left
P : Digital pressure switch
Z : Digital pressure switch Right - Left

Pressure range
A : 0 - 2 bar
B : 0 - 4 bar
C : 0 - 8 bar
D : 0 - 12 bar

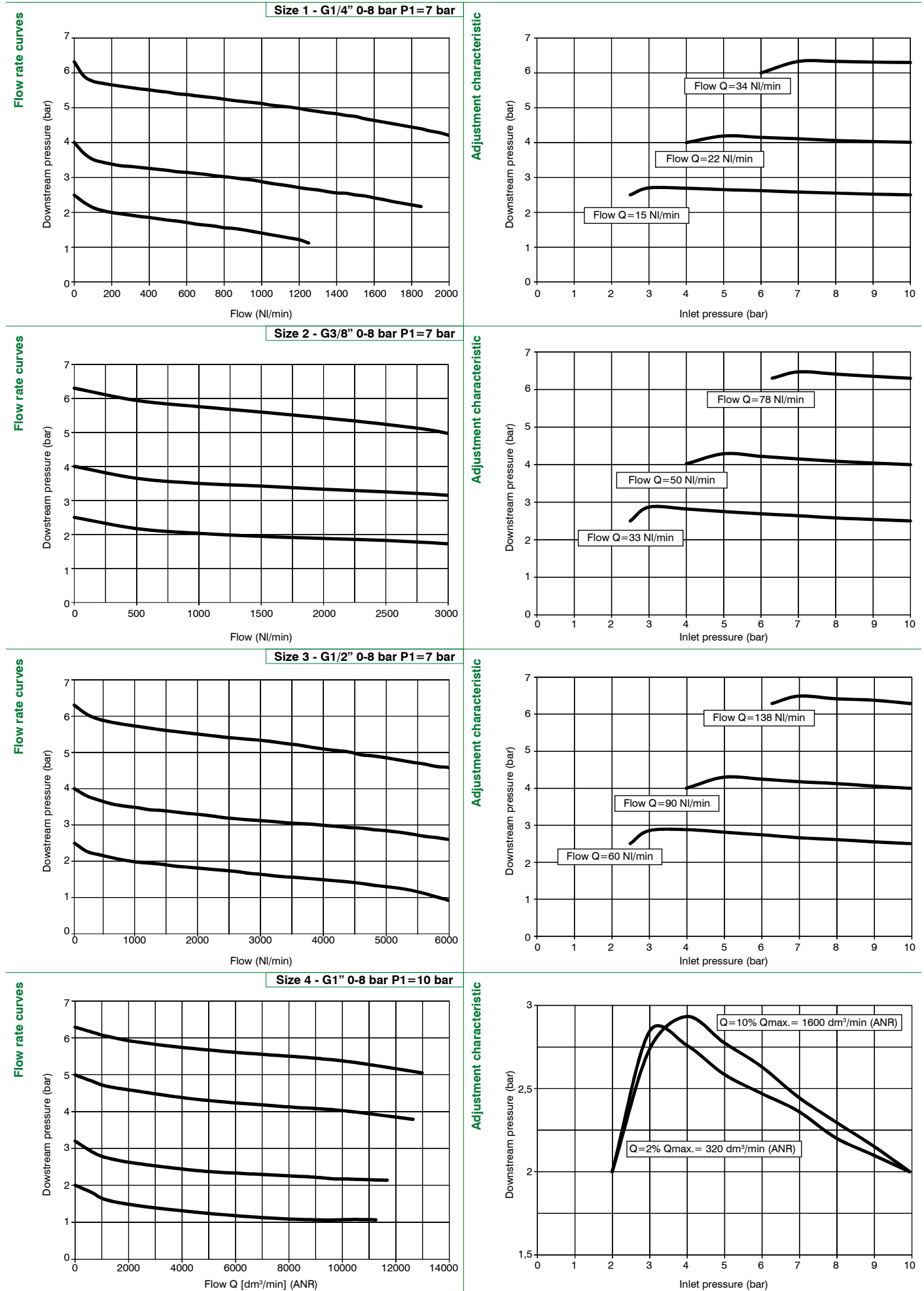
Relieving options
: With relieving
F : Controlled relief and improved relieving (not available for size 4)
L : Without relieving
R : Improved relieving

Knob options
: Non-lockable version
K : Lockable version
U : Lockable version with universal key

Digital pressure switch options
A : Cable 150 mm + M8 PNP
B : Cable 150 mm + M8 NPN
C : Cable 2 m PNP
D : Cable 2 m NPN

Example : T173BRMD : Size 3 regulator G1/2" 0 - 12 bar

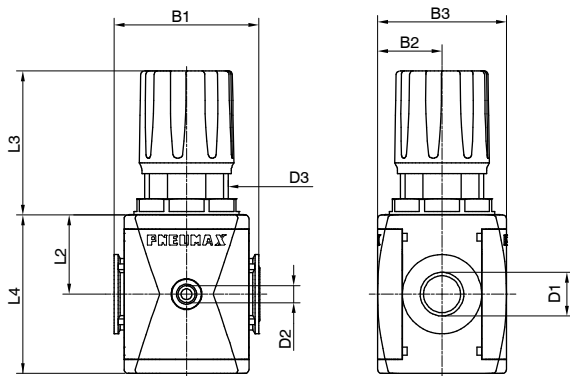
Characteristic curves



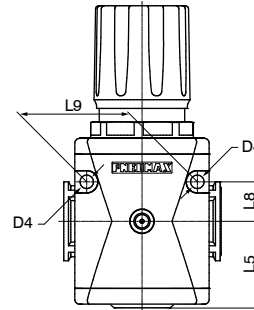
AIR TREATMENT

Dimensions

Pressure gauge connection port version



Fixing holes dimension detail
(only for size 4)

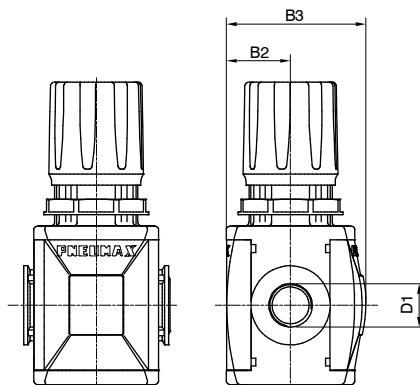


AIR TREATMENT

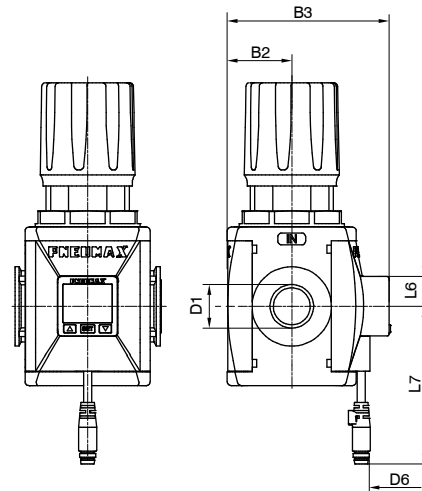
Model	B1	B2	B3	D1	D2	D3	D4	L2	L3	L4	L5	L8	L9
#171..	48	21	42	G1/8" G1/4" 1/4" NPT	G1/8" 1/8" NPT	M30x1,5	/	27,5	54	55	/	/	/
#172..	62	28,5	57	G1/4" G3/8" 1/4" NPT 3/8" NPT	G1/8" 1/8" NPT	M42x1,5	/	34	71,8	68	/	/	/
#173..	73	32,5	65	G3/8" G1/2" 1/2" NPT	G1/8" 1/8" NPT	M42x1,5	/	40	72,8	80	/	/	/
#174..	99	44	88	G1" 1" NPT	G1/8" 1/8" NPT	M54x1,5	8,5	52,5	87,5	105	54,5	25	70

Variable dimensions

Integrated pressure gauge version



Integrated digital pressure switch version



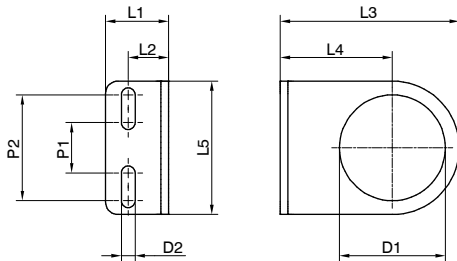
Model	B2	B3		D1	D6 - Type of digital pressure switch		L6	L7 - Type of digital pressure switch	
		With pressure gauge	With digital pressure switch		A - B	C - D		A - B	C - D
#171..	21	48,5	60	G1/8" G1/4" 1/4" NPT	M8 - 3 PIN	3 x 0,129 mm, Ø4 mm	15	150	2000
#172..	28,5	62,5	73,5	G1/4" G3/8" 1/4" NPT 3/8" NPT					
#173..	32,5	70,5	81,5	G3/8" G1/2" 1/2" NPT					
#174..	44	90,5	101,5	G1" 1" NPT					

Accessories

Fixing bracket

T172 50

Size
171 : Size 1
T172 : Size 2 - Size 3



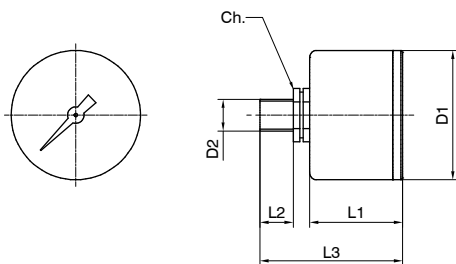
Model	L1	L2	L3	L4	L5	D1	D2	P1	P2
17150	20	13	50	30	40	30	5,5	20	30
T17250	25	16	71	44,5	53	42	5,5	20	42

Pressure gauge

17070 A C

Version
A : Dial Ø40
B : Dial Ø50

Scale
A : 0 - 4 bar
B : 0 - 6 bar
C : 0 - 12 bar



Model	L1	L2	L3	D1	D2	Ch
17070A..	26	10	44	41	Gc - 1/8"	14
17070B..	27	10	45	49	Gc - 1/8"	14